

Specification Sheet

GCMS-QP2010 *Ultra*



The GCMS-QP2010 Ultra is our most advanced gas chromatograph mass spectrometer. Descended from the GCMS-QP2010 Plus, it features best-in-class scan speed and sensitivity. A newly designed and patented technology called ASSP™ (Advanced Scan Speed Protocol) allows this GC-MS to scan at 20,000 u/sec without sensitivity loss or spectral distortion. The result is an instrument that is perfect for "Fast GC" or Comprehensive GC/MS (GC × GCMSq) analyses. Productivity and sample throughput can be dramatically increased. Ecology mode saves power and carrier gas consumption allowing for a lower cost of ownership and less environmental stress.

Instrument

GC

Model:	Shimadzu GC-2010 Plus
Oven temperature:	Up to 450°C
Injector port temp:	Up to 450°C
AFC pressure range:	0 to 970 kPa
High-power oven with fast heat-up rate compatible with fast GC-MS (230 VAC)	

MS

[GCMS Interface]

Type:	Direct connection with capillary column
Temperature:	50 to 350°C

[Ion Source]

Model:	EI (Standard), PCI (Option) EI, PCI and NCI with NCI source (Option)
Ion source temperature:	140 to 300°C
Filament:	Dual (Automatic Switching)
Electron energy:	10 to 200 eV
Emission current:	5 to 250 µA
Front access structure for easy maintenance	

DI (Option)

Temp. setting:	Room temp. to 500°C
----------------	---------------------

[Mass Analyzer and Detector]

Mass analyzer:	Metal quadrupole mass filter with pre-rod
Mass range:	<i>m/z</i> 1.5–1090
Mass resolution:	2M (FWHM)
High-speed scanning control:	Advanced Scanning Speed Protocol (ASSP™)
High-speed scan rate:	20,000 u/sec
Minimum measurement interval:	0.01 s (Maximum 100 scan/sec)
Detector:	Secondary electron multiplier with the patented overdrive lens and conversion dynode
Main pump:	Differentially pumped vacuum system (179/185 L/sec for He)
Fore pump:	30 L/min (60 Hz) Rotary pump
Column flow:	Up to 15 mL/min (He)

Software

[GCMsolution Ver. 2.6]

Mode:	Scan, SIM, FASST (Fast Automated Scan/SIM Type)
SIM:	64 channels × 128 groups
Energy saving:	Ecology mode
Insert replacement:	Easy sTop
Method creation:	COAST (Creation of Automatic SIM Table), AART (Automatic Adjustment of Retention Time)
Library search:	Similarity search, Similarity search with retention index, Index search
Instrument tuning:	Autotuning for all ionization modes (EI, PCI and NCI)
Mass spectrum libraries (Option):	NIST, Wiley, Pesticide Library, FFNSC Library (Flavor and Fragrance), Drug Library

Database (Option):	Method Package (Residual Pesticide in Foods, EPA524, EPA525), Compound Composer Database Software for Simultaneous Analysis, EPA Optional Software, VOC Analysis Software, GC/MS Metabolomics Database
Quality control functions:	QA/QC function for accuracy control, System check for instrument management, Security function for user management
File format:	Compound Structure Format, best-suited for GLP
Maintenance support:	MSNAVIGATOR
Report:	Highly flexible report creation, Template

Installation Checkout Specifications

EI scan sensitivity:	1 pg octafluoronaphthalene <i>m/z</i> 272 S/N > 500
PCI scan sensitivity:	100 pg benzophenone <i>m/z</i> 183 S/N > 500
NCI scan sensitivity:	100 fg octafluoronaphthalene <i>m/z</i> 272 S/N > 500

Installation Example

Power Requirements

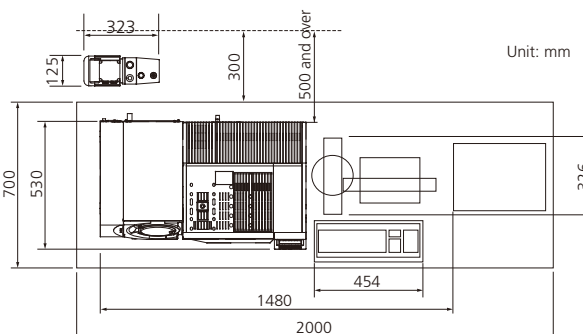
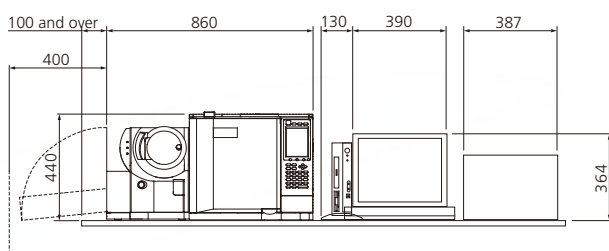
Frequency:	50/60 Hz
GC:	1800 VA (115 VAC)/*2600 VA (230 VAC) * High-power oven
MS:	1000 VA (100 – 230 VAC)

Environment

Temperature:	Constant temperature between 18 and 28°C
Humidity:	40 to 70 % (No condensation)

Size and Weight

GC/MS:	74 kg
Rotary pump:	10 kg
Size and weight of PC/Printer vary according to models.	



For More Information

For more information on Shimadzu products, visit our website at <http://www.shimadzu.com/>

Appearance and specifications are subject to change without notice for modification.

Shimadzu Corporation shall not be liable for errors contained herein or for incidental or consequential damages in connection with the furnishing, performance or use of this material.



SHIMADZU CORPORATION. International Marketing Division
3. Kanda-Nishikicho 1-chome, Chiyoda-ku, Tokyo 101-8448, Japan
Phone: 81(3)3219-5641 Fax: 81(3)3219-5710
URL <http://www.shimadzu.com>

Founded in 1875, Shimadzu Corporation, a leader in the development of advanced technologies, has a distinguished history of innovation built on the foundation of contributing to society through science and technology. We maintain a global network of sales, service, technical support and applications centers on six continents, and have established long-term relationships with a host of highly trained distributors located in over 100 countries. For information about Shimadzu, and to contact your local office, please visit our Web site at www.shimadzu.com



JQA-0376